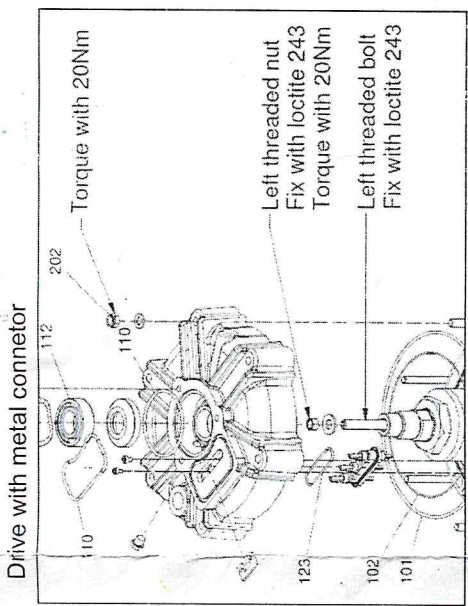
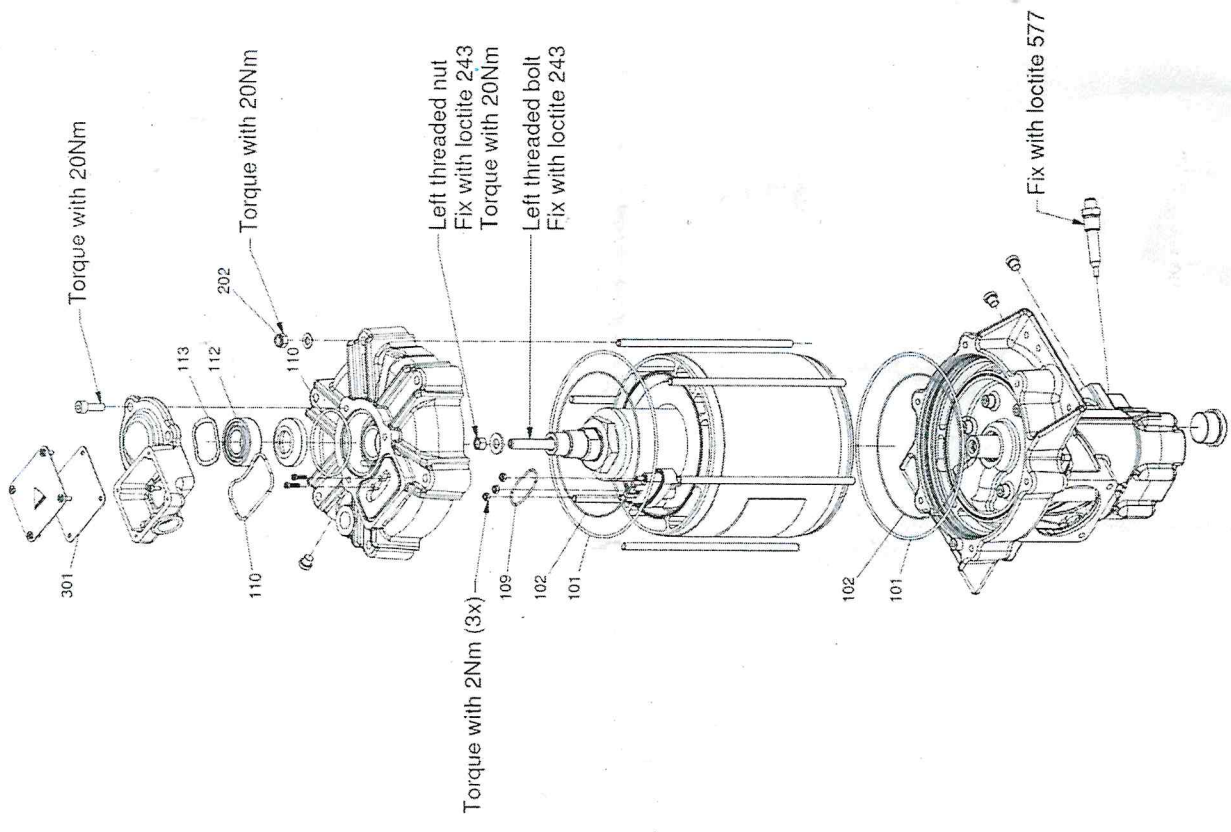


All materials supplied are in compliance with the requirements of the List of Prohibited Substances

This document is our property and shall not be used for manufacturing or communicated to any other person or company. It is intended for use for manufacturing or communication to any other person or company.

CONFIDENTIAL



!! WARNING : The O-ring of the metal connector (123) is slightly larger than those of the plastic connector (109)!!

Pos	Qty	Name
101	2	O-RING (196 x 3)
102	2	O-RING (153.5 x 1.6)
109	1	O-RING (38 x 2)
110	2	O-RING (67 x 3)
112	1	BEARING
113	1	SPRING WASHER
123	1	O-RING (40 x 2)
202	6	LOCK NUT (M8)
301	1	GASKET

Tolerances, if not indicated, according to:  
ATLAS COPCO STANDARD CLASS

Name: **KIT REBUILD**  
Material: **NOT APPLICABLE**  
Treatment: **Not Applicable**

Scale: **A3 Compare**  
Drawn by: **AIR13723**  
Version DWG: **01.01**  
Status: **Approved**

Blank wt: **0 Kg**  
Fini wt: **0 Kg**  
Prod checked: **Approved**  
Date: **2012-12-05**

Blank nr.:  
Family:  
Replaces:  
Designation: **INV**

Drawing owner: **All**

Confidentiality Class: **acc. to 1102 K**  
3

(Drawing reference 9820 6909 00)

Ed: **01** | Posi- tion: **Ed** | Date: **2013-10-21** | Intr./Appd.: | Parent: **3D model**

Sheet: **1 / 1**

9828510025